



The J. Paul Getty Trust
Communications Department

Reproduction Permission

1200 Getty Center Drive, Suite 400
Los Angeles, CA 90049-1681
Tel 310-440-7360
Fax 310-440-7722

March 27, 2018

Re: Reproduction Permission

Dear Editor ,

Thank you for your recent request for image(s) from the J. Paul Getty Trust and its operating programs (collectively "Getty").

This is a one-time permission for use of the image(s) for the article in your publication and/or for the article/ listing on your Web site, and for these purposes only. Unless otherwise noted, image(s) included in Web articles and listings may be archived in their original context in perpetuity. Any further usage will require an additional permission. Image(s) are to be used in their entirety and are not to be cropped, altered or manipulated in any way.

All image(s) are either the property of the Getty or are licensed to the Getty for the uses set forth herein. All copyright and collection credits must appear on the same or facing page(s) as the image(s). If noted, identified photographer(s) must be credited. Please refer to the next page(s) for proper notation of image caption(s) and credit(s). Images prepared for web use should use 72dpi resolution.

Please let us know if you have any questions or need additional materials. We would appreciate one copy of the publication or article and/or notification of the URL address in which the image(s) appear for our files.

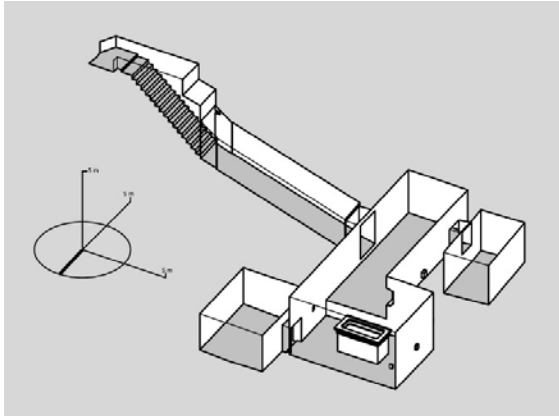
Once again, thank you for your interest in the Getty.

Sincerely,

Alexandria Sivak
Communications Department
The J. Paul Getty Trust

Attachments:

GETTY CONSERVATION INSTITUTE ANNOUNCES NEAR COMPLETION OF WORK AT THE TOMB OF KING TUTANKHAMEN – PRESS IMAGES



3D drawing of the tomb. (Courtesy of the Theban Mapping Project)



Conservation work on the wall paintings in the tomb. © J. Paul Getty Trust



The pharaoh Tutankhamen pictured on the north wall of the burial chamber. © J. Paul Getty Trust



Detail of a wall painting with brown spots. © J. Paul Getty Trust